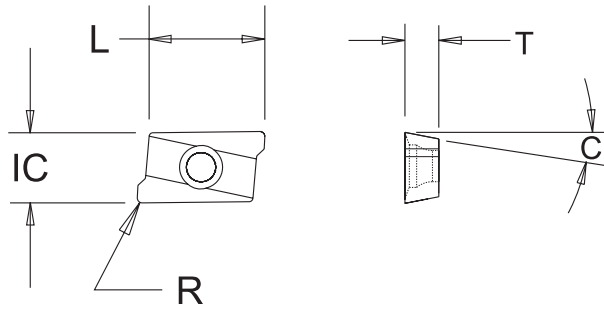


APKT Type



for "207" Series cutters

Insert Dimensional & Grade Specifications

Insert Number	IC	T	R	C	L	Coated Grades					Uncoated Grades		
						LT-7175	606jRm	LT-50	LT-45	LT-40	LTC-21	LTC-14	LTC-10
APKT-1003-PDER	0.263	0.137	0.019	11°	.370	●							

**Please Note:**  
 On the following pages, all bullets in the grade specification section of each table, indicate the grades of stocked inserts.

- All Materials
- Cast Iron
- Hardened Materials
- Steel
- Aluminum / Non-Ferrous
- Stainless Steel
- Heat Resistant Super Alloys