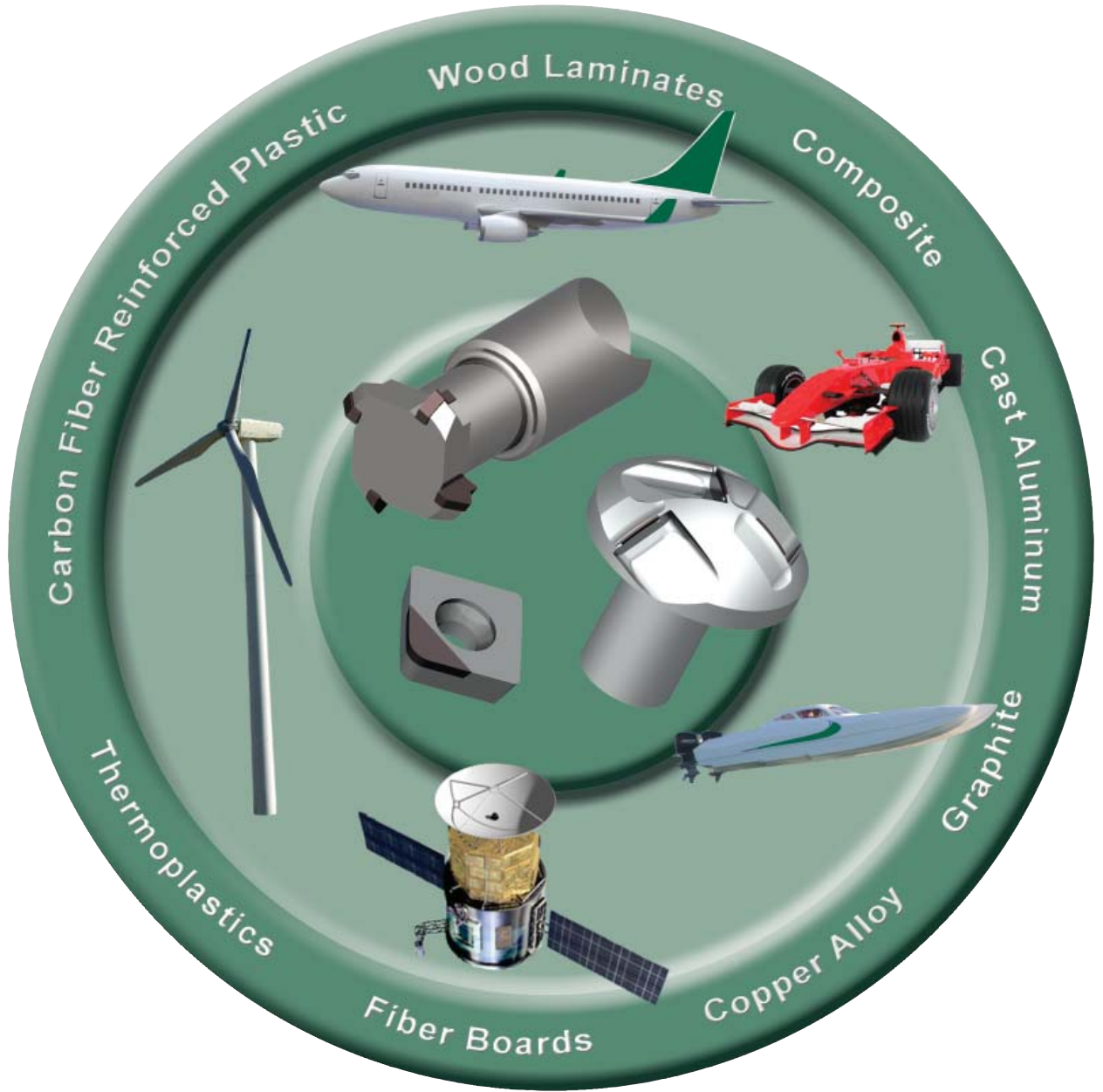


from LOVEJOY Tool!

PCD Tooling & Inserts



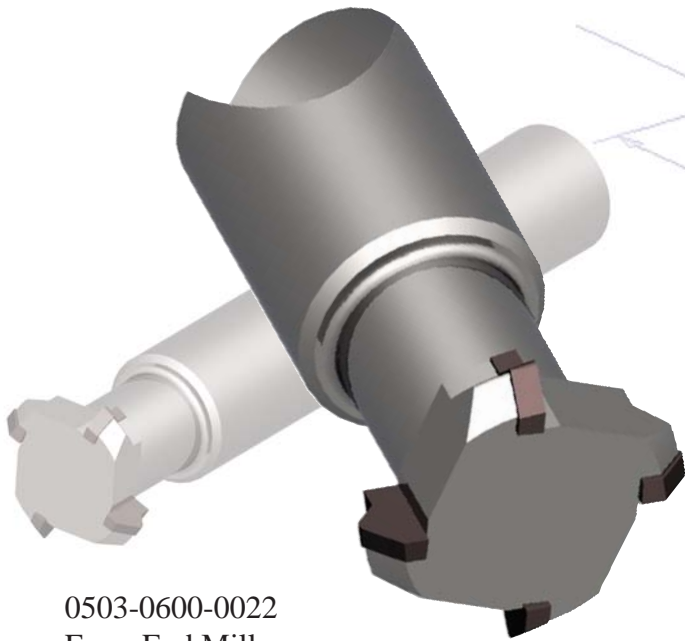
LOVEJOY Tool Company, Inc.

1-800-TheVermontMillPeople

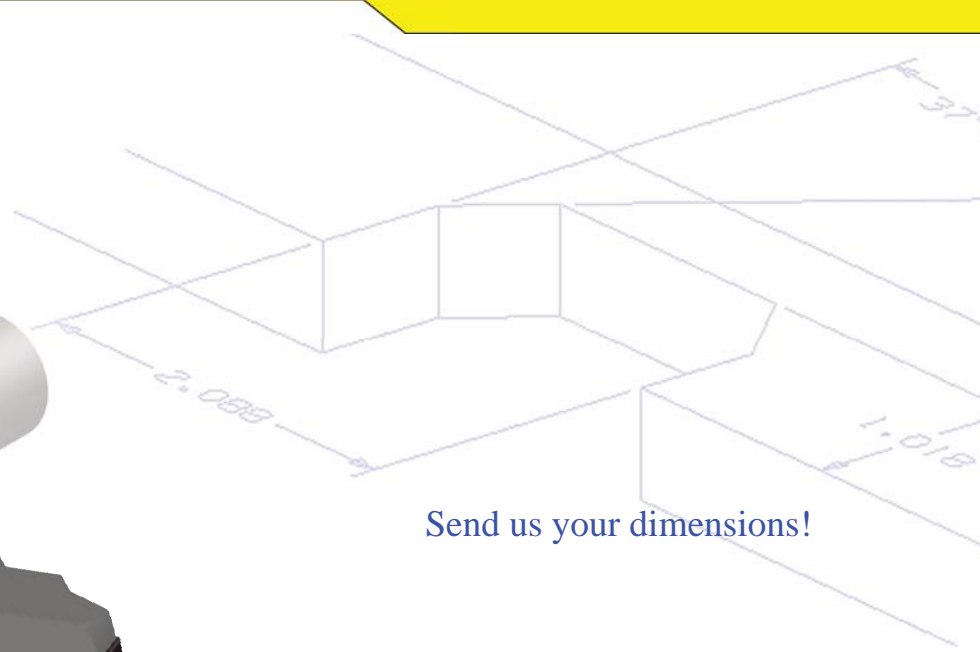
(800) 843-8376

Since 1917

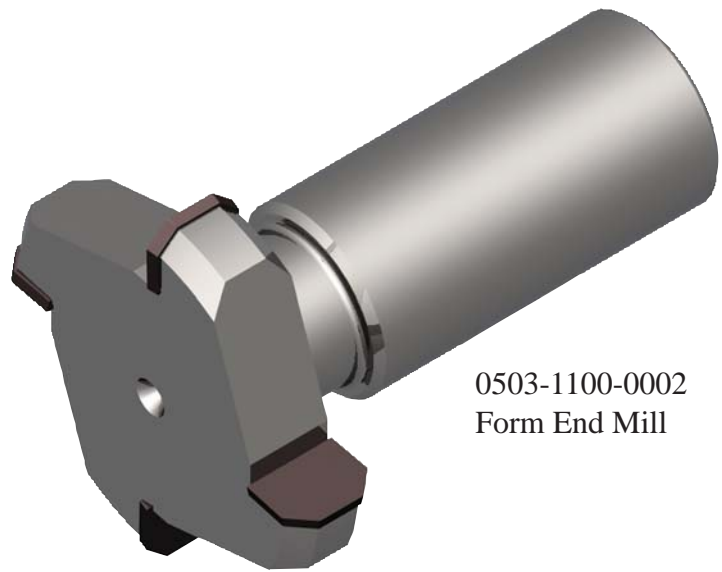
Form Tools



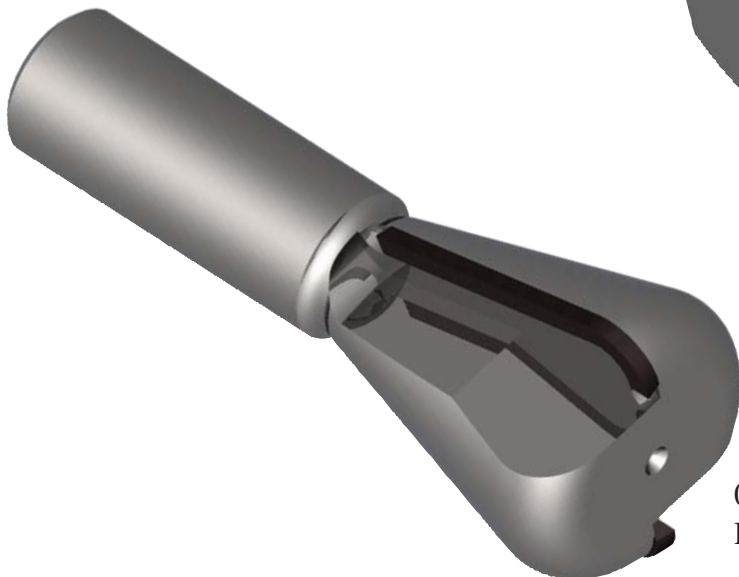
0503-0600-0022
Form End Mill



Send us your dimensions!



0503-1100-0002
Form End Mill



0503-1100-0003
Dovetail End Mill

Trimming, Spot Facing & Center Cut Tools



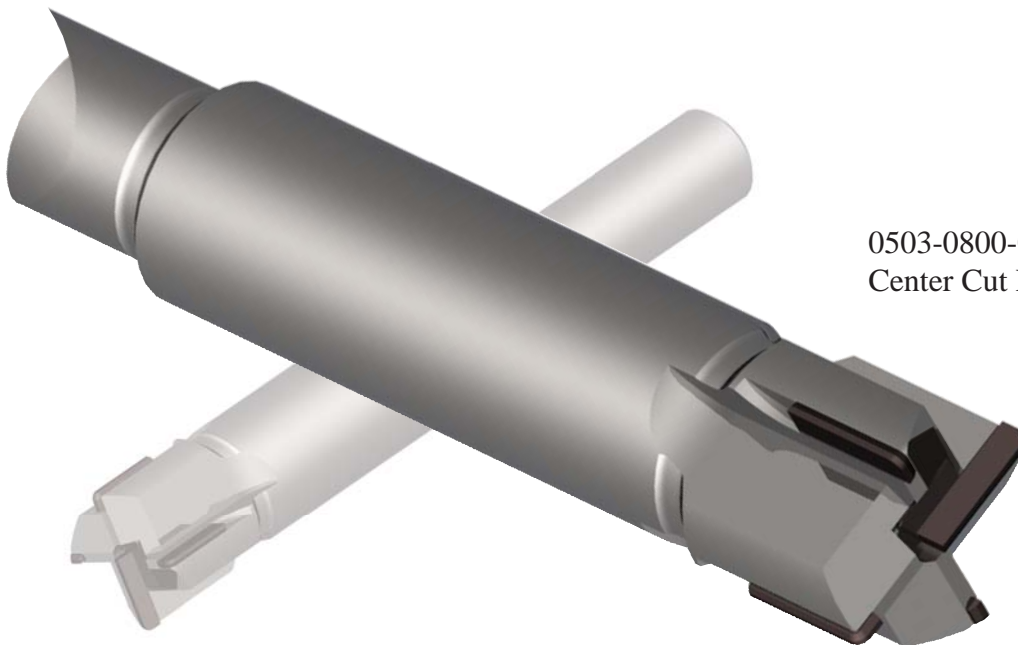
0503-0600-0020
Center Cut
End Mill



0503-4000-0001
Center Cut End Mill



0503-0800-0007
Center Cut End Mill



Profiling Tools

0503-1340-0001
Ball Nose
End Mill



0503-1300-0001
C'Sink Tool



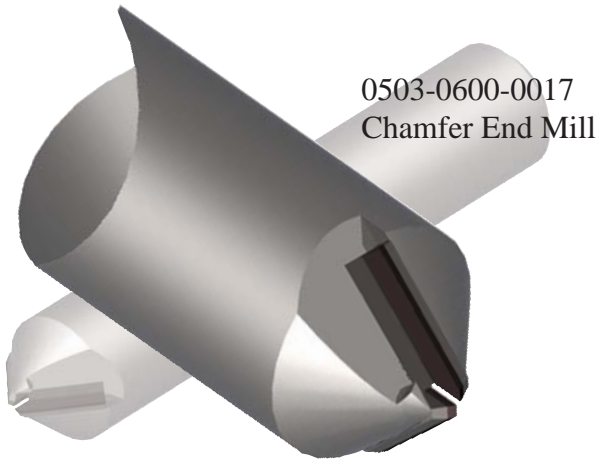
0503-0640-0001
Ball End Mill



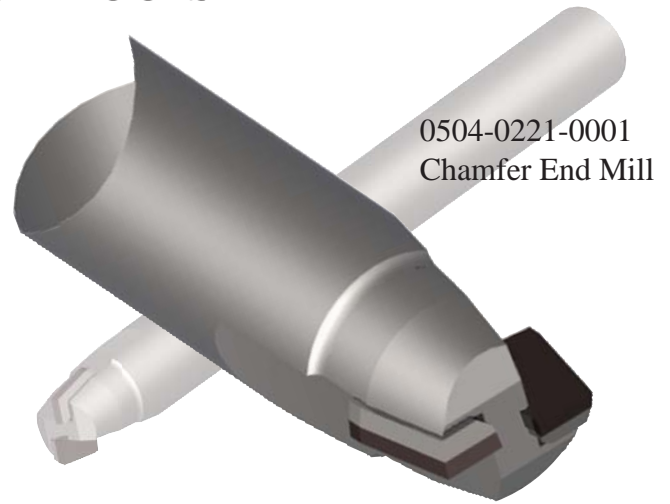
0503-0600-0021
Ball Nose
End Mill



Counter Sink & Chamfer Tools



0503-0600-0017
Chamfer End Mill



0504-0221-0001
Chamfer End Mill



0507-0326-0002
C'Sink Tool



0507-0626-0014
C'Sink Tool



1212-0003-0007
C'Sink Tool
Diamond Coated Solid Carbide

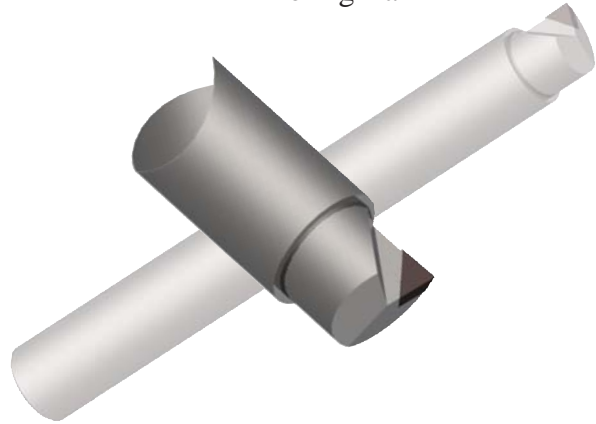


Boring & Turning Tools

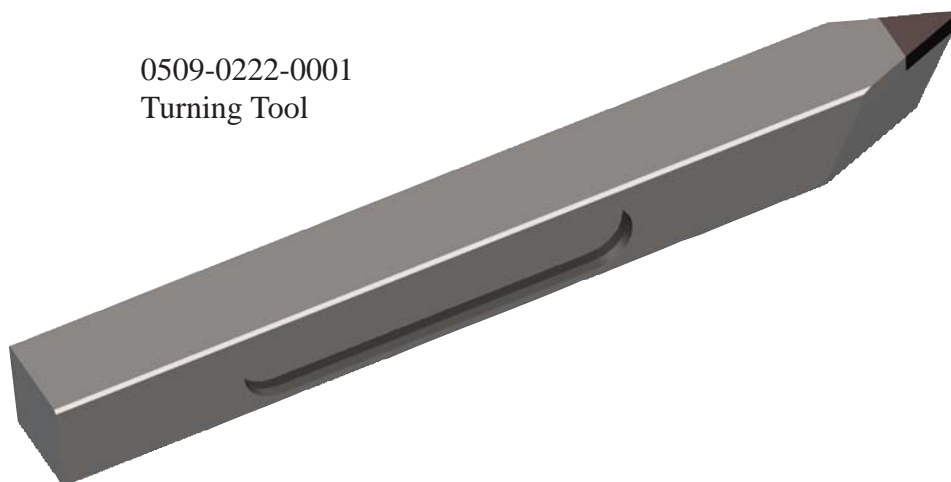
0506-0800-0001
C'Bore End Mill



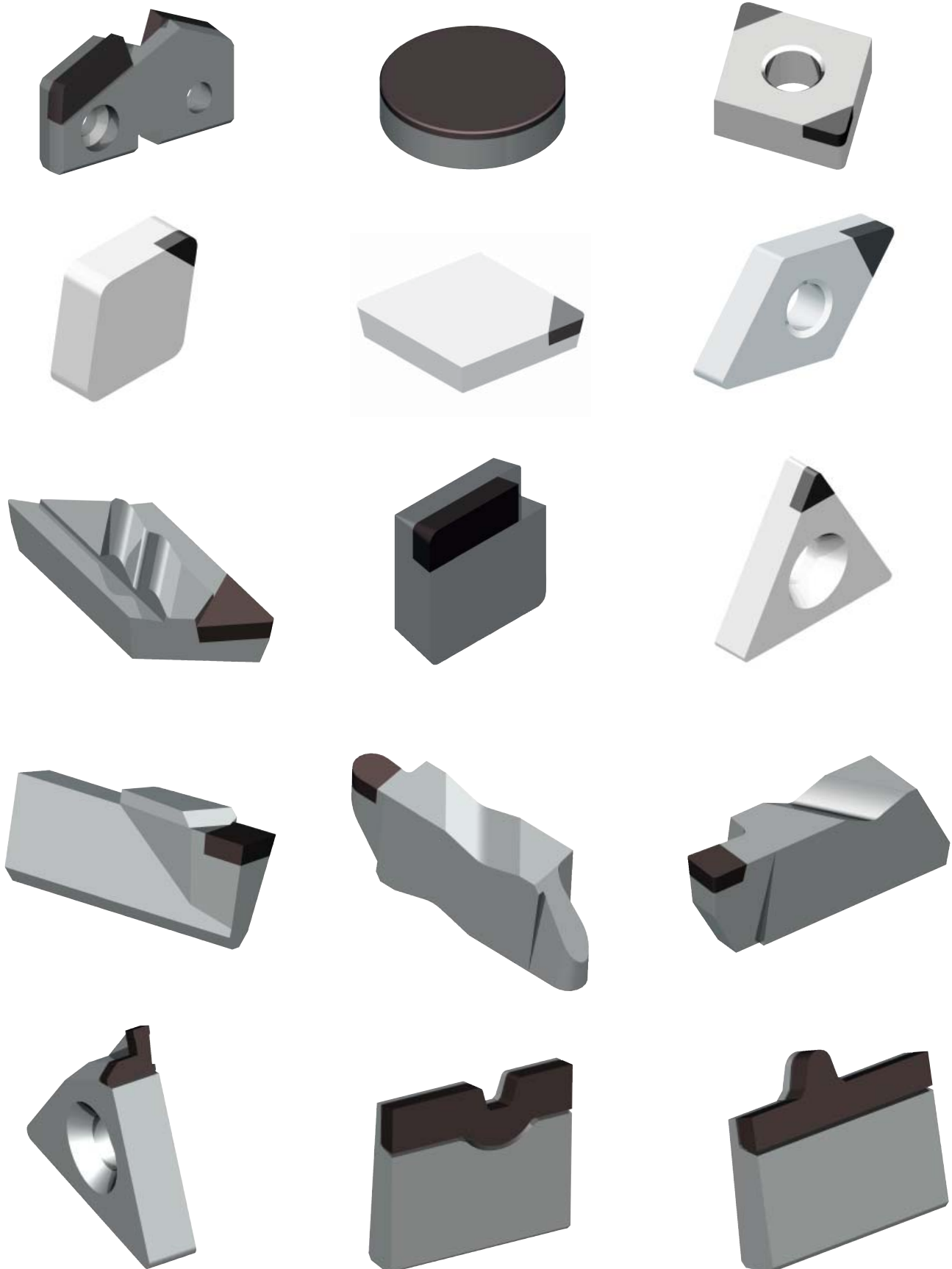
0505-0200-0001
Boring Bar



0509-0222-0001
Turning Tool



PCD & CBN Inserts



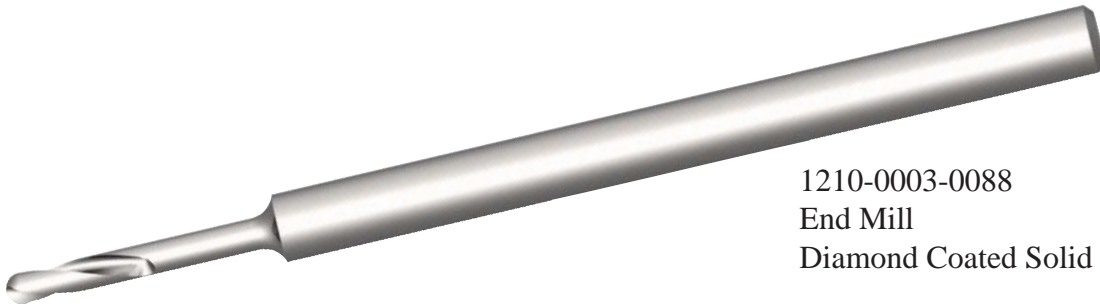
Diamond Coated Solid Carbide Tooling



1212-0003-0007
C'Sink Tool
Diamond Coated Solid Carbide



LOVEJOY Tool Company's NEW 6 Axis Wire EDM Machine!



1210-0003-0088
End Mill
Diamond Coated Solid Carbide

133 Main Street / Springfield, Vermont 05156 • (800) 843-8376 • Fax: (802) 885-9511

www.lovejoytool.com