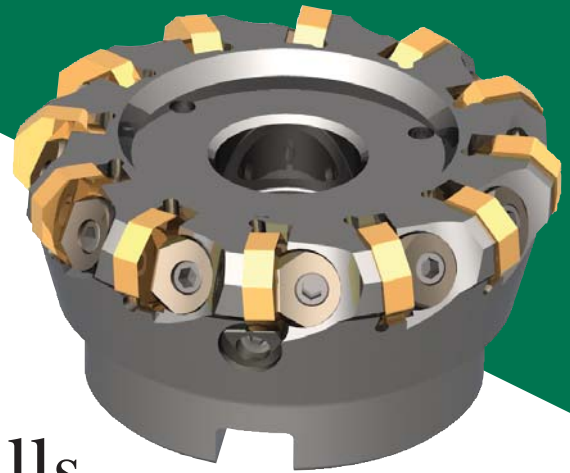


Milling Around, Since 1917



Fine Pitch



## NEW! 650 Series Face Mills

*LOVEJOY Tool Company, Inc. - [www.lovejoytool.com](http://www.lovejoytool.com)*

- Roughing and Semi-Finishing
- Available from 3" to 8" diameter
- Medium and Fine Pitch insert spacing
- Adjustable Wiper stations 4" to 8" diameter
- Strong negative cutting geometry with .250 thick inserts
- Positive chip control inserts
- NEW coated grades for steel & ductile iron
- 16 cutting edges

Medium Pitch



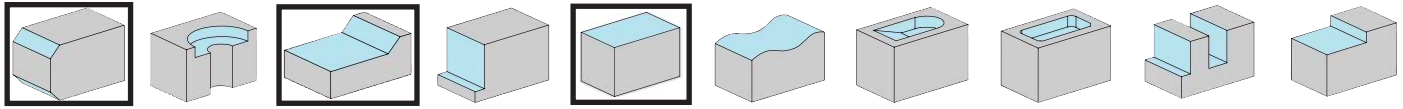
### **650 Series Face Mills**

*LOVEJOY Tool Company, Inc.*  
Located in downtown Springfield, Vermont

(800) 843-8376

*LOVEJOY Tool Co., Inc.*  
133 Main Street  
Springfield, VT 05156

Phone: (800) 843-8376  
Fax: (802) 885-9511  
[lovejoy@lovejoytool.com](mailto:lovejoy@lovejoytool.com)

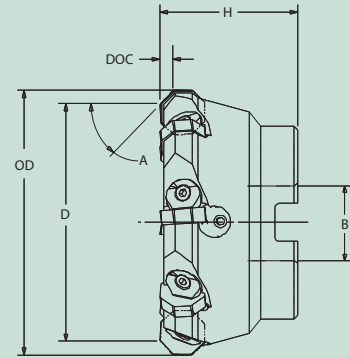


- Smooth cutting positive chip control geometry
- Available in medium and fine pitch
- Medium pitch number of inserts: 2x diameter
- Fine pitch number of inserts: 3x diameter
- Proven new coated grades for maximum insert life

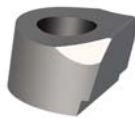
5° Neg. Axial  
Neg. Radial  
45° Lead



• 16 cutting edges



Product Number	D	OD	B	H	A	DOC	Insert	# Stations	# Wiper Sta.
650F0300AON6-125R	3.000	3.47	1.250	2.310	45°	.200	ONEG-64_-K1_	6	0
650F0300BON6-125R	3.000	3.47	1.250	2.310	45°	.200	ONEG-64_-K1_	9	0
650F0400AON6-150R	4.000	4.46	1.500	2.310	45°	.200	ONEG-64_-K1_	8	2
650F0400BON6-150R	4.000	4.46	1.500	2.310	45°	.200	ONEG-64_-K1_	12	3
650F0500AON6-150R	5.000	5.46	1.500	2.310	45°	.200	ONEG-64_-K1_	10	2
650F0500BON6-150R	5.000	5.46	1.500	2.310	45°	.200	ONEG-64_-K1_	15	3
650F0600AON6-200R	6.000	6.46	2.000	2.310	45°	.200	ONEG-64_-K1_	12	3
650F0600BON6-200R	6.000	6.46	2.000	2.310	45°	.200	ONEG-64_-K1_	18	3
650F0800AON6-UNVR	8.000	8.45	2.500	2.310	45°	.200	ONEG-64_-K1_	16	4
650F0800AON6-UNVR	8.000	8.45	2.500	2.310	45°	.200	ONEG-64_-K1_	24	6



Insert .75 IC x .25 Thick	Lock	Lock Screw	Lock Screw 650F0400BON6-150R (only)	Adj. Pin Wiper Station	Screw Wiper Station	SSS Brass Tip Wiper Station
ONEG-64_-K1_	3502-1133-5002	1451	1452	3502-2350-0017	1484	1/4-28 x 1/2

Material	SFPM	FPT	Roughing	Finishing
Gray Iron, Class 30	200 - 500	.005 - .015	ONEG-642-K1 GR LT-8473B	ONEG-64Z-K1 GR LT-8473B
Tool Steel, D2	250 - 350	.005 - .015	ONEG-642-K1A GR LT-3081	ONEG-64Z-K1A GR LT-3081
Stainless, 304, 316	300 - 500	.005 - .015	ONEG-642-K1 GR LT-8473B	ONEG-64Z-K1 GR LT-8473B
Medium Alloy Steel	300 - 700	.005 - .015	ONEG-642-K1A GR LT-3081	ONEG-64Z-K1A GR LT-3081
Tool Steel, P20	300 - 700	.005 - .015	ONEG-642-K1A GR LT-3081	ONEG-64Z-K1A GR LT-3081
Soft Alloy Steel	400 - 800	.005 - .015	ONEG-642-K1A GR LT-3081	ONEG-64Z-K1A GR LT-3081